

# MS 1033

## CD-USB/MP3 PLAYER WITH FM RADIO TUNER



### DESCRIPTION

MS 1033 is a dual sound source, built on two independent section that can be used at the simultaneously.

The MS 1033 is a 1U rack-mount unit featuring a slot-load CD drive, able to read music CD format and CD-R/RW discs containing MP3 music data. It is also equipped with an USB flash drives and 'Secure Digital' (SD) cards (compatible for 'Multi Media Cards') to play MP3 files. The USB interface is available in the front and rear panel to provide maximum flexibility and use in cabinet with closure front door.

The Tuner with high-sensitivity front-end and quartz-locked digital tuning ensure low noise signal processing and drift-free reception of stereo FM. 60 Presets across all wavebands provide instant recall of preferred stations. All the stereo audio outputs are available with volume control. The "Priority" output is common for both the FM tuner and the CD / MP3 player but the CD / MP3 player signal has priority (when playing).

With an IR receiver the MS 1033 fits into any and all pro audio environments requiring the playing of CD and FM Radio locally or remotely.

The compact design and the two LCD backlit display reflects the attention to detail of an exceptional stereo tuner and CD player that upholds the RCF tradition for quality.

### CERTIFICATIONS AND APPROVALS

- CE comply with European Community 2006/95/CE LVD Directive and 2004/108/CE EMC
- Directive Immunity according to IEC EN 55013+A1+A2, IEC EN 55020+A2+EC, EN 61000-3-2, EN 61000-3-3+A1
- Safety according to IEC EN 60065:2002

### INSTALLATION NOTES

The MS 1033 can be either installed into a 19" rack cabinet (1 unit) thanks to its rack ears or put on a desk (after taking its rack ears off by removing the 4 screws on each side).

To ensure proper heat dissipation, install the player while leaving clearances of 0,1 m between the player and wall or other components.

### MAIN FEATURES

- Double sound source with two independent sections and outputs (Tuner – CD / MP3)
- IR Remote control for CD–USB–SD / MP3 player & tuner functions
- Supports CD-DA (.cda), MPEG-1/2 Layer III (.mp3)
- Reads CD, CD-R, CD-R/W discs
- USB port available on both front and back panels to provide maximum flexibility
- SD card port is available on front panels
- FM radio tuner with possibility to memorize your 60 favourite radio stations
- 3 Balanced Audio Output with volume control
- Priority Audio Output of the CD / MP3 player signal to the FM tuner
- LCD backlit display gives information on the CD and MP3 files
- LCD backlit display shows the frequency and stations that are in the memory

### ACCESSORIES (included)

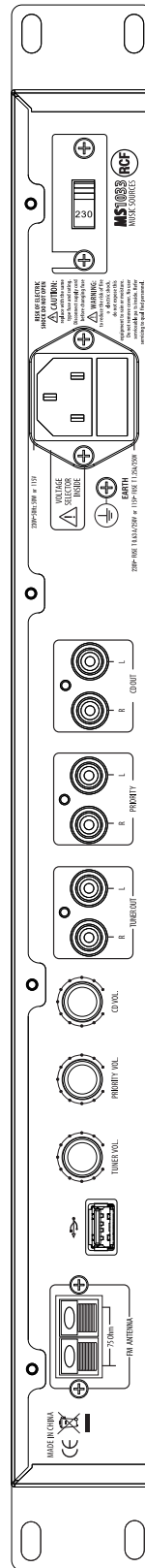
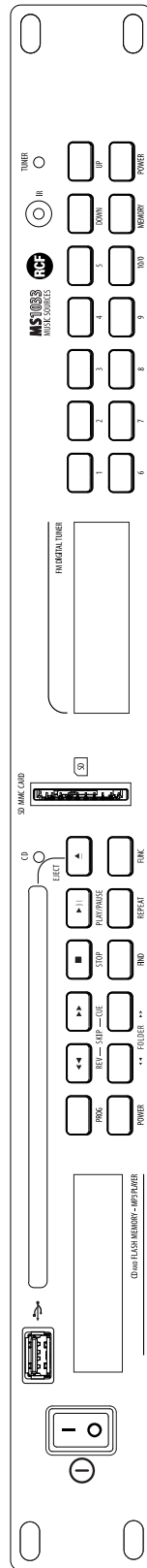
- 1 FM indoor antenna
- Pair of ear brackets for the 19" rack installation
- Remote control unit
- 3 Pair audio RCA cable 2.5 mt length
- AC Power cord
- User's Guide
- Warranty Card

### MAIN APPLICATIONS

- Restaurants
- Boutique
- Pub
- Beauty Centre
- Market
- Fitness Centre / Gym
- Hotels
- Broadcast

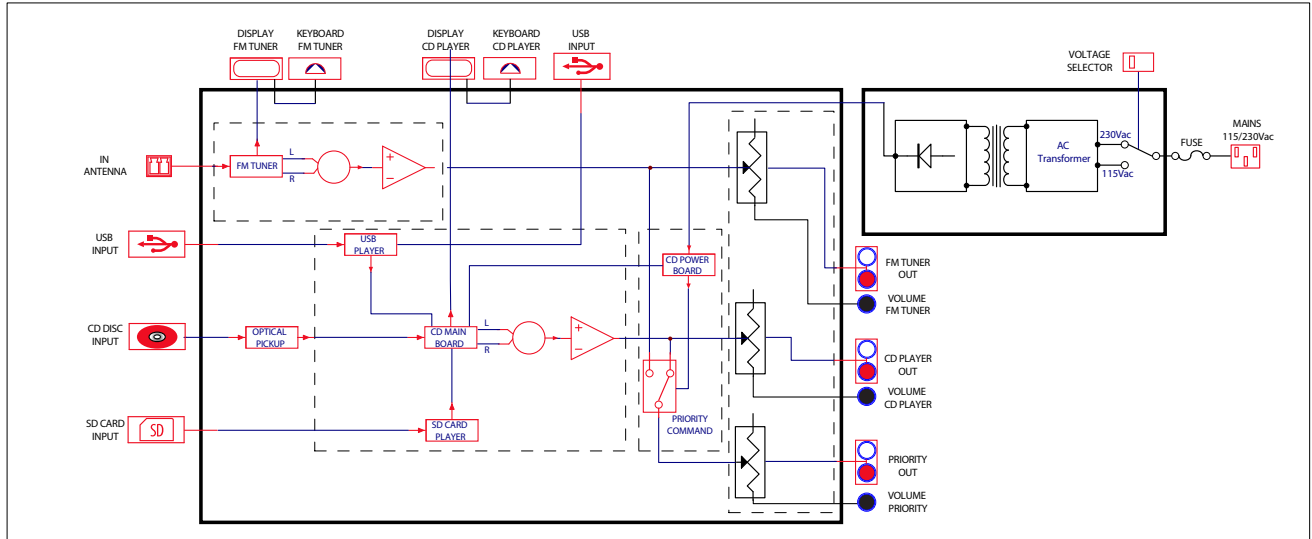
# MS 1033

## FRONT PANEL & REAR PANEL



# MS 1033

## SCHEMATICS

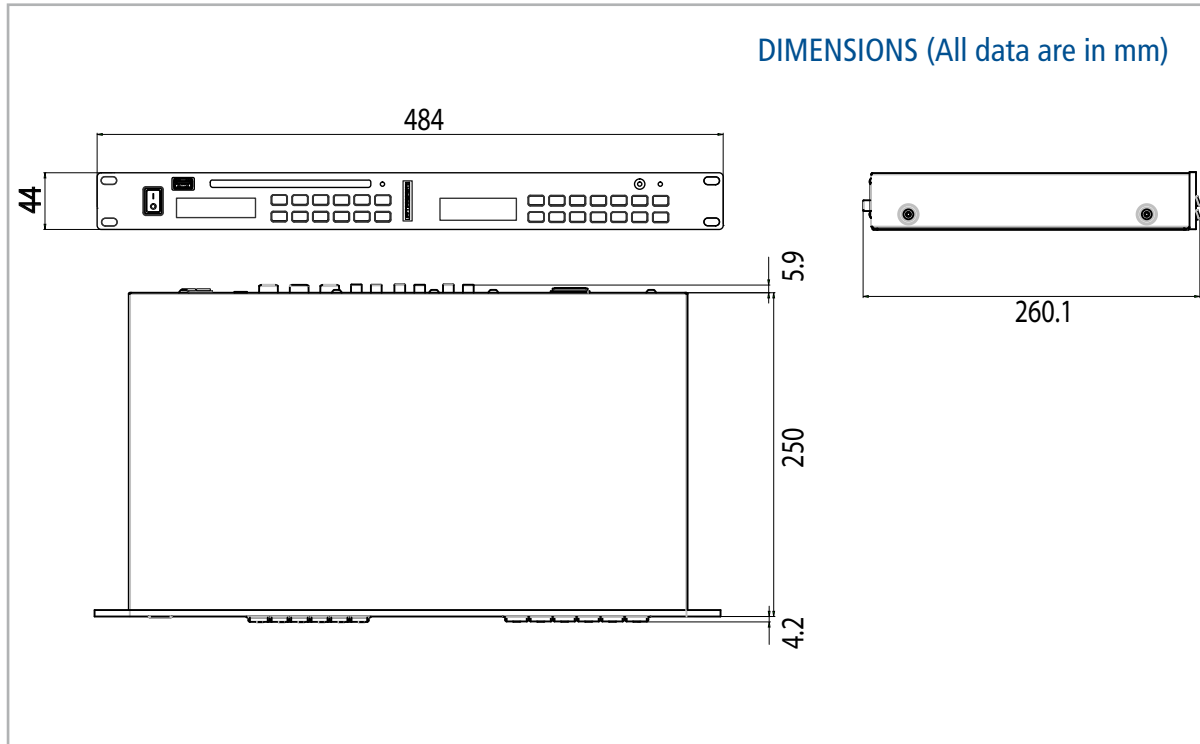


# MS 1033

## PART NUMBERS

17170108

1.0-F



## SPECIFICATIONS

### GENERAL

Protections Power supply	Fuses (T0.63A - 250 V ;T1.25A - 250 V)
Operating voltage	220÷240 / 110÷120 V ~ 50 / 60 Hz
Power (consumption)	50 W
Dimensions (w, h, d)	444 x 44 x 250 mm
Net weight	3.6 kg
Operating temperature	-25° to +55°
Relative humidity	90% non condensing

### RADIO TUNER

FM range	87.5 ÷ 108 MHz
FM frequency response	100 Hz ÷ 12 kHz
FM channel separation (1 kHz)	≥ 40 dB
FM Intermediate rejection	≥ 70 dB
FM Image rejection	≥ 50 dB
FM signal / noise ratio	≥ 60 dB
Intermediate frequency	10.7 MHz
Input Sensitivity	6 µV e.m.f.
Automatic tuning sensitivity	≤ 50 µV
Total harmonic distortion (1 kHz)	< 0.8 %
Antenna input	75 Ω – Coaxial

### AUDIO CD PLAYER

Audio output level	+ 4 dBu (±2 dBu)
Output level difference between channels	< 2 dB
Frequency response	20 Hz ÷ 20 kHz
Signal / noise ratio	≥ 70 dB
Total harmonic distortion (1 kHz)	< 0.1 %
Stereo separation	≥ 60 dB