

BD 42

CEILING SPEAKER



DESCRIPTION

BD 42 sound projectors are elegant and suitable for sound distribution in very large and noisy environments (e.g. railway stations, underground, car parks, factories, warehouses, shopping centres, etc.).

BD 42 sound projectors can be installed both indoor and outdoor (IP code: IP 55).

These have a cylindrical plastic body with an U bracket support for the installation and include: 2 dual cone loudspeakers (externally protected by grilles).

A transformer for 100 V constant voltage lines, with the possibility to set the power during the installation. A low impedance input (4 Ω) is available.

MAIN APPLICATIONS

- Train stations
- Supermarkets
- Pools
- Warehouses
- Parking
- Underground stations
- Department stores
- Shopping centres

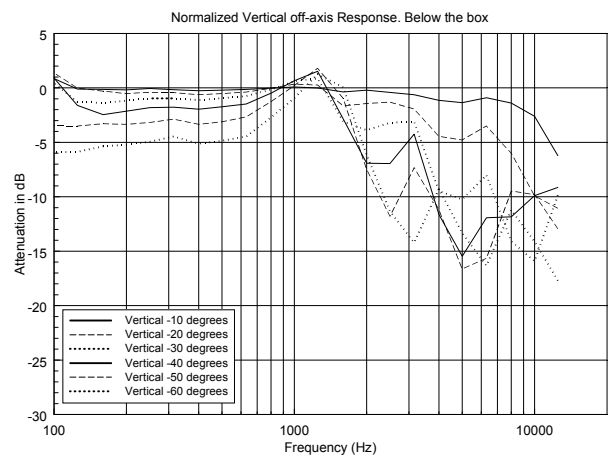
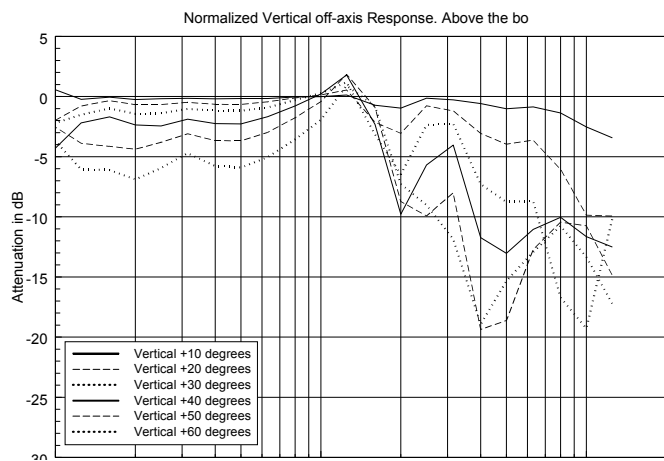
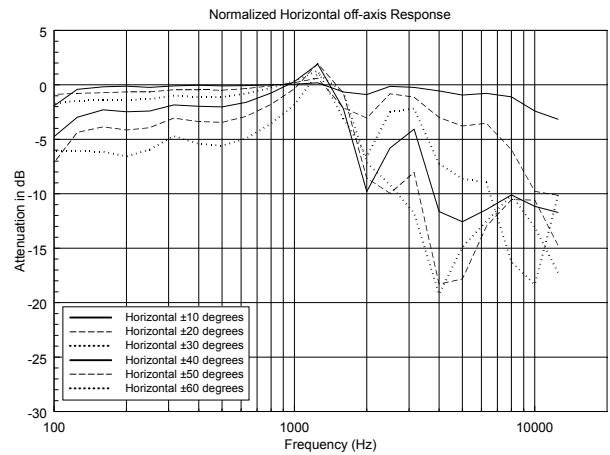
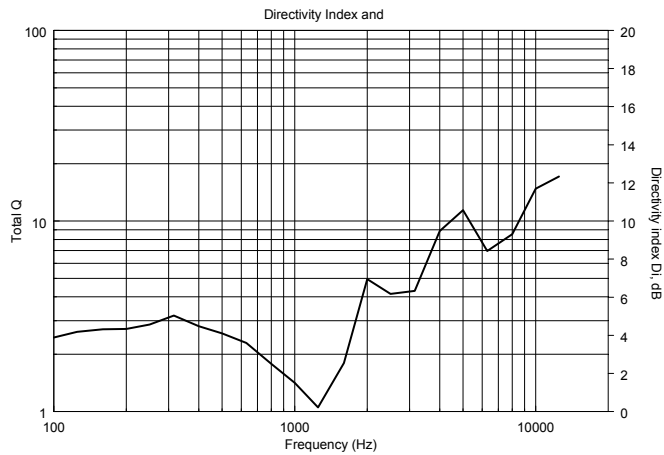
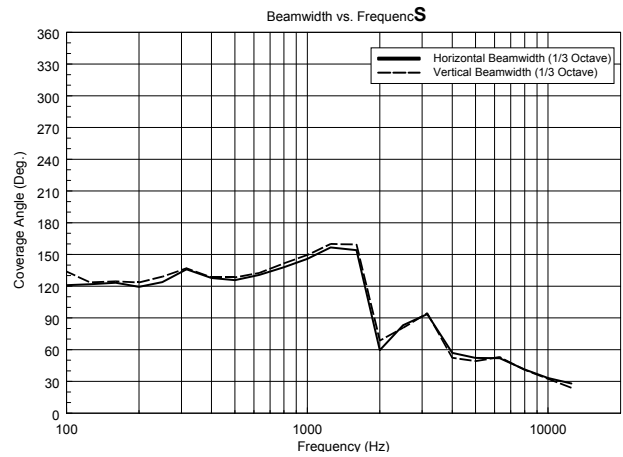
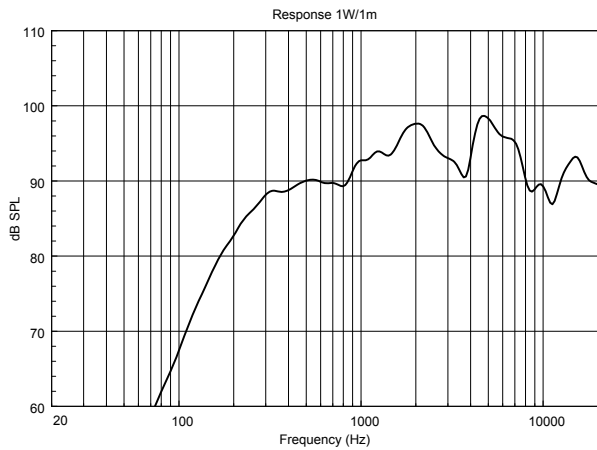
MAIN FEATURES

- It's ideal for train stations, underground stations, car parks, factories, warehouses, and PA systems in general
- Bidirectional sound projector with double loudspeaker, characterized by high acoustic performance, excellent design and compact dimensions
- IP55 protection, suitable for outdoor use
- 2 x 5" (130 mm) diameter extended range twin-cone loudspeaker
- Built-in multi-tapped transformer for 100 V constant voltage connection
- Equipped with aluminium "U" bracket. Body in ABS grey RAL 7035 with metal grill

SPECIFICATIONS

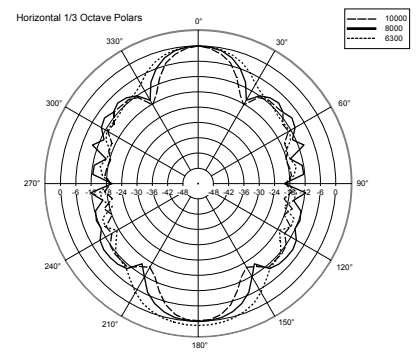
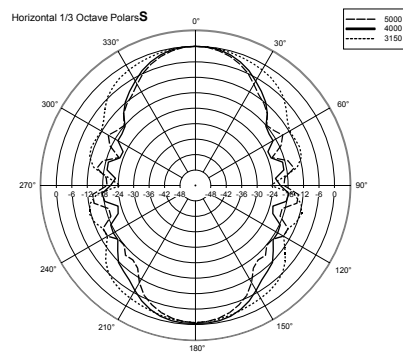
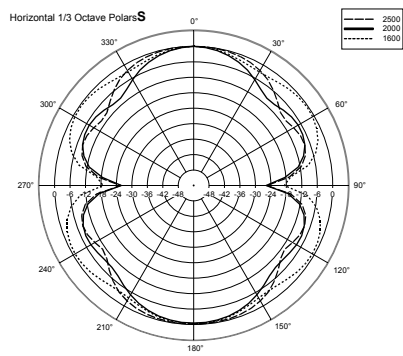
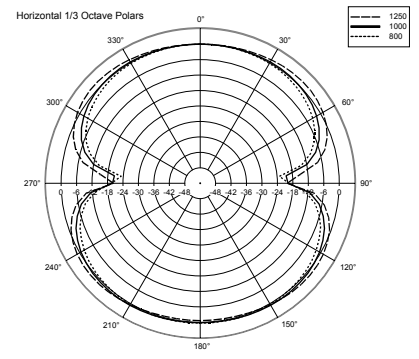
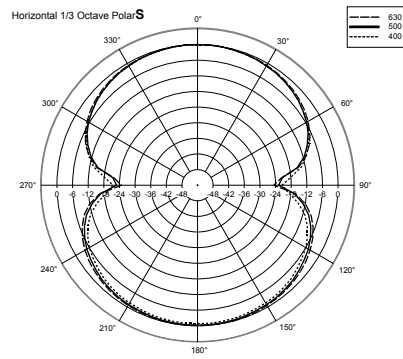
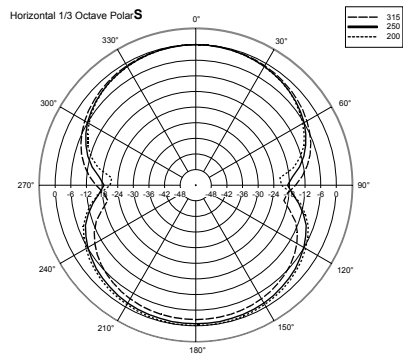
Input	100 V / 4 Ω
Power	12 – 6 W (100 V) / 12 W (4 Ω)
Frequency response	130 Hz ÷ 15 kHz
Sensitivity	91 dB (1 m / 1 W)
Sound pressure level (12 W)	102 dB (1 m)
Transducers	2 x 5" dual-cone woofers
Body material	ABS
Grille	powder coated aluminium
IP code	IP 55
Colour	light grey
Dimensions	ø 138 mm x 200 mm
Net weight	1.7 kg

BD 42

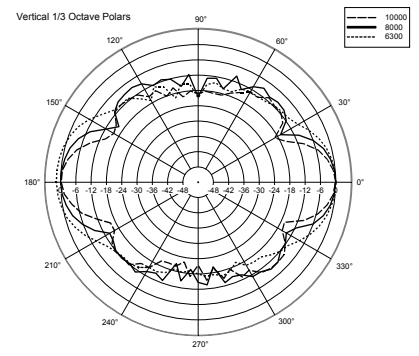
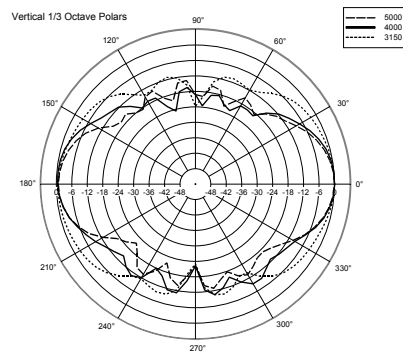
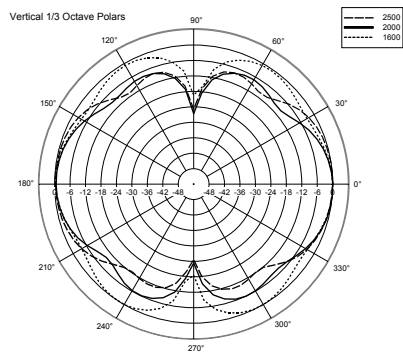
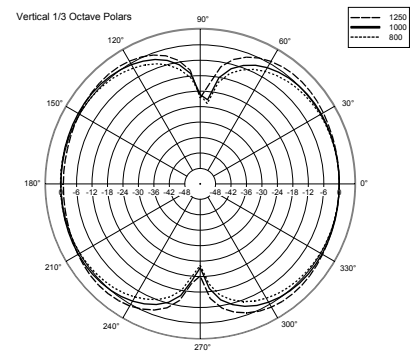
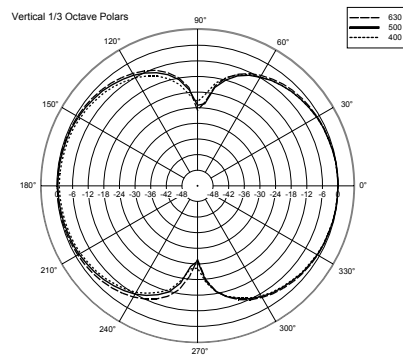
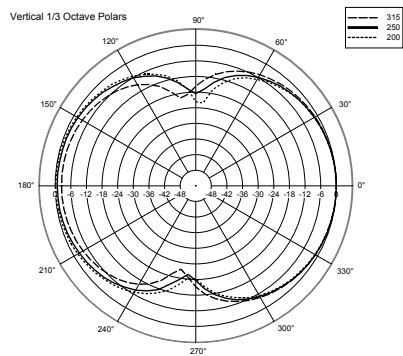


BD 42

HORIZONTAL 1/3 POLAR PLOT



VERTICAL 1/3 POLAR PLOT

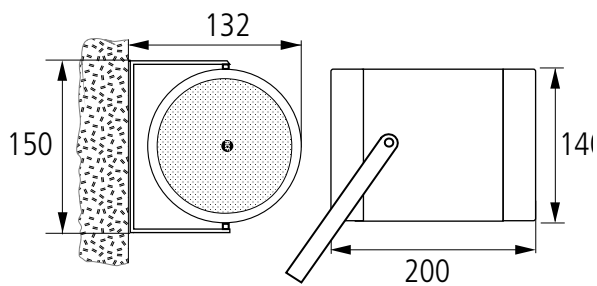


BD 42

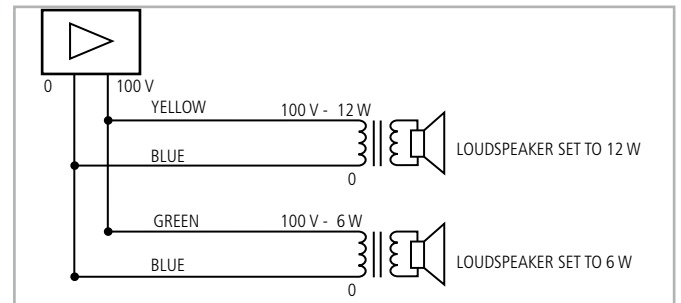
PART NUMBERS

13000247

DIMENSIONS (All data are in mm)



SCHEMATICS



INSTALLATION NOTES

Install the loudspeaker through the 6 mm holes present on its mounting bracket (in a way that its body is parallel to the floor / ground) according to the right side indicated by the label.

Fix its position by tightening the two bolts of its mounting bracket.

Connect the loudspeaker as described in the next manual section.