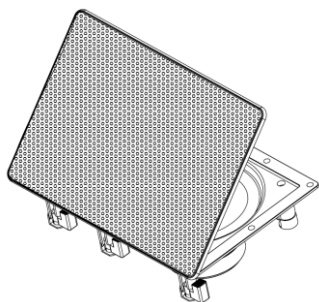
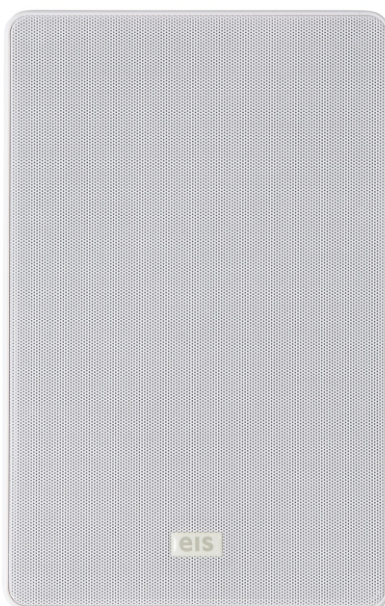
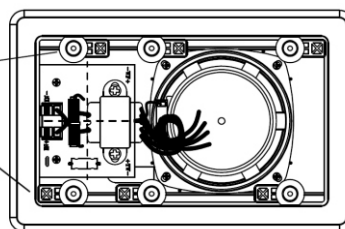


HSQE-4MI-T10 IN-WALL LOUDSPEAKER REF. 81980



Mounting
Tabs



HSQE-4MI-T10 Loudspeakers technical specifications:

81980	MIN	NORMAL	MAX		COMMENTS
Speaker type		4		inches	Full range
Measurements		251x161x89		mm	
Power	2.5	5	10	W	100 Volts
SPL		85		dB	
Frequency response	95		20.000	Hz	
Driver impedance		8		Ohms	
Line input		100		Volts	
Cut-out diameter		215x125x85		mm	